

JVC

OUTDOOR DOME CAMERA

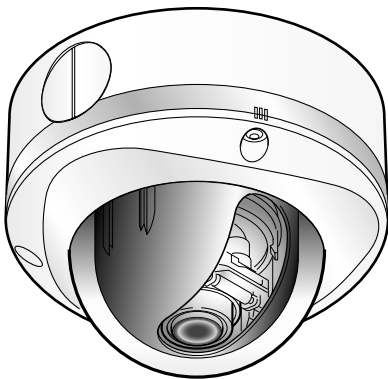
TK-C2201WPU

(For USA and Canada)

TK-C2201WPE

(For Europe)

INSTRUCTIONS

**For Customer Use:**

Enter below the Serial No. which is located on the body. Retain this information for future reference.

Model No. TK-C2201WPU,TK-C2201WPE

Serial No.

Introduction

Contents

Introduction

Contents	2
Features	3
Operating Precautions	4
Name of Parts	6

Setup

About Connection Cables	10
Setting the Switches	12

Installation

Mounting the Camera	13
---------------------------	----

Adjustment

Adjusting Image	23
Adjusting the Auto White Balance	28

Others

Specifications	29
----------------------	----

Thank you for purchasing this product.

Before use, please read this "INSTRUCTIONS" and the information materials included to ensure proper use of this product.

These instructions are for TK-C2201WPU/TK-C2201WPE.

TK-C2201WPE is not evaluated by UL.

Features

- Easy DAY/NIGHT function (TK-C2201WPU)
- DAY/NIGHT surveillance with auto IR cut filter on/off (Color/B&W shooting) (TK-C2201WPE)
- 3D noise reduction (3DNR)
- 4 areas privacy mask
- Built-in display mode (CRT or LCD selectable)
- Outdoor-ready vandal and tamper resistant structure (complies with IP66)

How to read this manual

Conventions and symbols

Note : Indicates operating precautions.

Memo : Indicates reference data regarding limitations on functions, usage and the like.

 : Indicates a reference page or item.

Contents of this manual

- JVC holds the copyright to this manual. Any part or all of this manual may not be reproduced without prior consent from the company.
- Product names of other companies described in this manual are trademarks or registered trademarks of the respective companies. Symbols such as [™], [®], and [©] are omitted in this manual.
- Design, specifications and other contents described in this manual are subject to change for improvements without prior notice.

Operating Precautions

■ Storage and Location of Use

- Do not install the camera in the following places.
 - In a place with vapor or oil, for example in a kitchen.
 - When the ambient temperature rises above or falls below the acceptable range (from -10 °C to 50 °C)
 - In a place at which corrosive gases are emitted.
 - Near a source of radiation, X-rays, strong radio waves or magnetism.
 - In a place subject to vibration.
 - In a place with excessive dirt.
- Using this unit in the vicinity of the transmitting antenna of a radio or TV, devices that emit strong electromagnetic waves such as a transformer or motor, or wireless devices such as a transistor or mobile phone may give rise to noises in the image and changes in its color.
- Do not install in an environment where there is cold air or near the air outlet of an air conditioner. The dome cover may become foggy as a result of sudden temperature changes.
- Though this camera is IP66 compliant, there is no guarantee against water seepage under any circumstances. (IP66 evaluation was not conducted by UL.)

■ Maintenance

- Clean the dome cover lens using a lens wiper cloth (or a tissue). For tough stains, wipe with a neutral detergent diluted with water, followed by wiping with a dry cloth. Do not use benzene or thinner to wipe the camera. Doing so may melt the surface or cause it to fog.

■ Energy Conservation

- When the camera is not in use for a long time, turn off the power for safety and energy conservation reasons.

■ Copyright Protection

- With the exception of the user being the copyright holder or when permission such as for duplication has been granted by the copyright holder, permission is required in principle for the duplication, modification, or transmission of copyrighted material.
- Unauthorized duplication, modification, or transmission of copyrighted material may constitute a copyright infringement, and the user may be liable to compensate for any damages. When using copyrighted material, be sure to check the license agreement of the copyrighted material thoroughly.
- When rights or rights holders are involved with regard to the targeted duplicating subject, permission may be required for shooting or using (processing) it. Be sure to check the licensing conditions thoroughly.

■ Disclaimer

- We will not be responsible for any inconveniences or disturbances caused in the event of privacy invasion as a result of camera footages of this product.

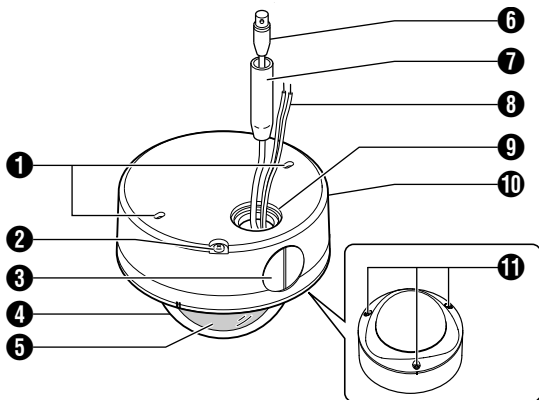
■ Others

- When using this camera with [AGC] set to "MID" or "HIGH", the sensitivity increases automatically for dark images and the screen may appear grainy, but this is not a malfunction.
- If the DAY/NIGHT switch is turned to "AUTO", the mode changes automatically to black and white in dark places. As the sensitivity level is increased in this case, the screen may appear grainy and more white spots may appear. When switching between modes, the brighter area on the screen is emphasized and visibility may be reduced. However, this is not a malfunction.
- When shooting an extremely bright object (e.g. lamp), the image on the screen may have white vertical tailings (smear) or expansion (blooming) may appear around it. This is a characteristic of the CCD and not a malfunction.
- When the white balance of this camera is set to "ATW-N" or "ATW-W" and depending on the conditions of the object, the color tone may differ slightly from the actual color due to the principle of the automatic tracking white balance circuit. This is not a malfunction.
- When this camera is used under high temperatures, vertical stripes may appear on the screen. This is a characteristic of the CCD and not a malfunction.
- When this camera is moved from a cold to warm place, condensation may occur and the camera may not work. In this case, leave the camera under room temperature for about one hour before turning on the power.
- When the power supply voltage is momentarily disrupted or drops due to lightning, turning on the air-conditioner or the like, image distortion or noise may occur.
- When the power supply voltage of the camera drops, the input protection circuit inside the camera operates, and the camera may be turned off. Make use of a voltage rating within $\pm 10\%$ for the camera's power supply voltage.
- This unit enlarges the rotation angle to support wide range set up. When the zoom of the lens is set to WIDE end and the tilt angle is set around $\pm 80^\circ$, a part of this camera appears in the image depending on the rotation angle. In this case, adjust the image angle if necessary. (☞ page 24)
- To prevent fogging resulting from temperature changes, be sure to insert the silica gel at the location specified. (☞ page 16)
- The 3D noise reduction function of this camera may result in afterimage of a moving subject. Afterimage is more likely to occur when using the camera with [DNR LEVEL] set to "HIGH". This is not a malfunction.

Introduction

Name of Parts

Camera



1 Mounting Hole × 2

(☞ page 14)

2 Fall Prevention Wire Mounting Screw

(☞ page 14)

3 Conduit Plug/Hole (side)

(☞ page 21)

4 Dome Cover

(☞ page 13)

5 Inner Dome

(☞ page 13)

6 Video signal output connector (BNC)

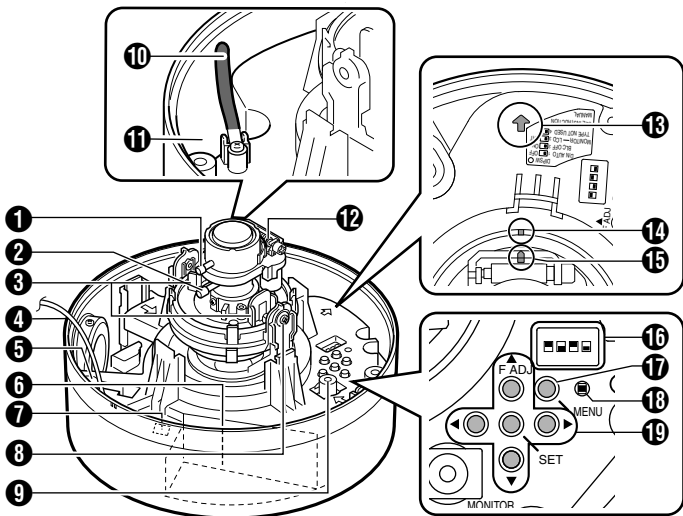
(☞ page 10) (☞ page 15)

- 7 Protection Cover**
(☞ page 15)
- 8 Power Supply Cable**
(☞ page 11) (☞ page 15)
- 9 Hole for Connecting Cables, Conduit Hole**
(☞ page 20)
- 10 Base**
(☞ page 19)
- 11 Dome Cover Fastening Screw ×3**
(☞ page 13)

Name of Parts (Continued)

Camera (Interior)

The dome cover and inner dome are removed.



1 Focus Adjustment Ring

(☞ page 25)

2 Zoom Adjustment Ring

(☞ page 25)

3 Rotation Knob

(☞ page 24)

4 Fall Prevention Wire (To prevent the dome cover from dropping)

(☞ page 13)

5 Camera Unit Fastening Screw ×2

(☞ page 19)

6 Space for Inserting Heater

When mounting the heater (sold separately: KA-ZH215U), read the instruction manual of the heater before mounting.

7 Power Supply Connector for Heater

For connecting to the power supply connector of the heater.

8 Tilt Fastening Screw ×2

(☞ page 24)

9 [MONITOR] Terminal (RCA pin)

(☞ page 23)

10 Lug Plate

(☞ page 16)

11 Space for Inserting Silica Gel

(☞ page 16)

12 Focus Adjust Gear

(☞ page 25)

13 Shooting Direction Mark

(☞ page 24)

14 Pan Center Mark

(☞ page 24)

15 Rotation Center Mark

(☞ page 24)

16 Function Selection Switches

(☞ page 12)

17 [MENU] Button

Display the menu screen.

Refer to the attached manual "MENU SETTING" for more details about setting the menu.

18 Status Indication Lamp

Lights up when the power is turned on.

19 [▲, ▼, ◀, ▶]/[SET] Button

This allows user to select menu screens and change or confirm settings.

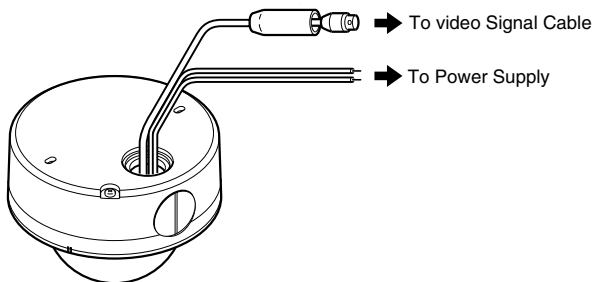
Fine Focus Adjustment (☞ page 26)

Auto White Balance Adjustment (☞ page 28)

About Connection Cables

The maximum connection distance varies with the type of cable used.

- Be sure to turn off the power of devices before connecting cables.



- Memo** • Connect to AC 24 V power supply if using the heater (sold separately: KA-ZH215U).

Video signal cable (coaxial cable)

Connect a 75 Ω coaxial cable (BNC) such as RG-59 to the video signal output connector (BNC).

DC 12 V or AC 24 V power supply cable

Connect the power cord to the DC 12 V or the AC 24 V power supply.

The unit is to be powered by a UL Listed Class 2 power supply only. (For USA and Canada)

The AC 24 V and DC 12 V power supply shall conform to the following:

UL Listed Class 2 power supply only,

Class 2 not wet and Class 3 wet wiring (For USA)

Isolated power supply only (For Europe)

This installation shall be in accordance with the National Electrical Code, ANSI/NFPA 70.

The following table shows the connection distances when 2-core VVF (vinyl-insulated vinyl sheath cables) are used. (Reference value)

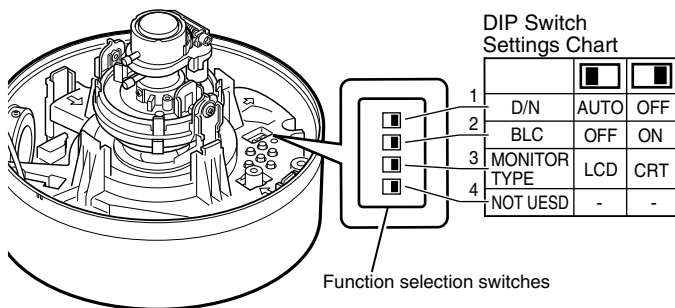
Conductor diameter	Maximum connection distance: DC 12 V (not using heater)	Maximum connection distance: AC 24 V (not using heater)	Maximum connection distance: AC 24 V (using heater)
Φ 1.0 mm (AWG 18)	50 m (160 ft)	130 m (420 ft)	40 m (130 ft)
Φ 1.6 mm (AWG 14)	140 m (450 ft)	350 m (1100 ft)	120 m (390 ft)
Φ 2.0 mm (AWG 12)	220 m (720 ft)	550 m (1800 ft)	180 m (590 ft)

Note

- If thin cables are used, the resistance of the cables will be high and a significant voltage drop will occur when the camera is at its maximum power consumption. Either use a thick cable with low resistance or place the power supply near to the camera and shorten the length of the cable to restrict the voltage drop at the rated current of camera to below 10 %. If voltage drop occurs during operation, the performance will be unstable.
- Do not connect the AC 24 V cable to commercial power supply. If it is connected by mistake, the internal circuit may be damaged. Do not use the camera and make sure to send it to the nearest JVC dealer for inspection.
- Do not connect DC 12 V and AC 24 V cables at the same time.
- When connecting the DC 12 V cables, ensure that the polarities are correct.
Color of the cables red: +12 V, black: GND
- When using a DC 12 V power supply, ensure that the polarities of the cable are correct.

Setting the Switches

Before mounting the camera, set the function setting switches on the camera. To set the switches, use a fine-tipped screwdriver.



1 [D/N AUTO/OFF] Day & Night Switch

Set this to "AUTO" when shooting a subject with continually changing brightness (day/night). The image switches to color when the subject is bright, and black and white when it is dark. The image is set to color at all times when "OFF" is selected. (Default setting: AUTO)

Memo You can set the image to black and white at all times using the menu. (TK-C2201WPE only)

2 [BLC OFF/ON] Backlight Compensation Selector Switch

Set this to "ON" when shooting in backlight. The subject becomes easier to see as brightness is adjusted according to the photometry area set in [BLC AREA] of the menu.

(Default setting: OFF)

Memo Refer to [BLC AREA] in the "MENU SETTING" (separate).

3 [MONITOR TYPE LCD/CRT] Monitor Type Selector Switch

Set this to "LCD" or "CRT" according to the monitor in use.

(Default setting: LCD)

Memo Refer to [LCD TYPE] in the "MENU SETTING" (separate).

Mounting the Camera

Selecting a mounting method

- Mount directly to the ceiling or on the wall (☞ page 13)
- Mounting the Camera Using the Conduit Hole at the Bottom of the Base (☞ page 19)
- Mounting the Camera Using the Conduit Hole at the Side of the Base (☞ page 21)
- Mounting the Camera using the Electrical Box (☞ page 22)

Memo When mounting the camera to the ceiling, ensure to wear safety glasses to protect the eye from any falling objects.

Mounting the camera directly to the ceiling or on the wall

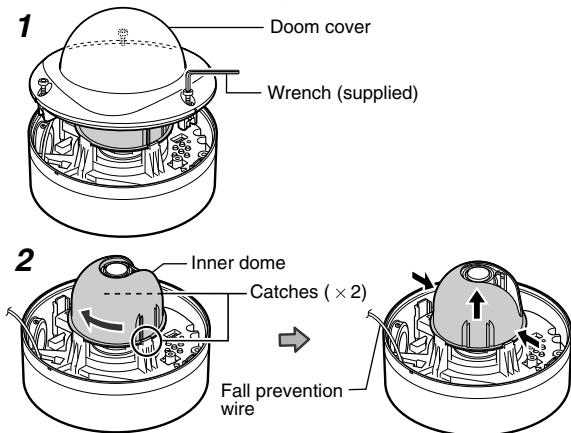
When mounting to a wall, replace areas indicated as "ceiling" in the procedures by "wall".

■ Preparing the camera

1 Remove the dome cover (screws x3)

2 Remove the inner dome from the catches (two locations)

The inner dome can be easily removed by turning it about 45 degree and grip from both sides near the catches as illustrated in the diagram.



Mounting the Camera (Continued)

■ Mounting the Camera Unit

1 Make a hole ($\Phi 30$ mm) in the ceiling using the template provided

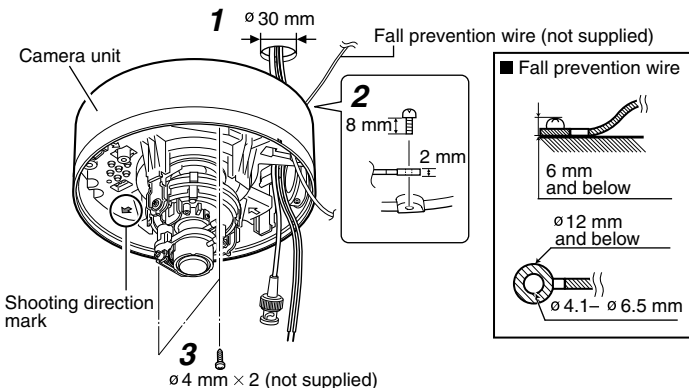
2 Mount the fall prevention wire for connecting the camera unit to the ceiling

The fall prevention wire is not provided. Prepare a wire, taking into due consideration the length, strength, pull and material (insulating).

- ① Remove the fall prevention wire fastening screw on the bottom of the camera unit to mount the fall prevention wire.
- ② Mount the fall prevention wire at a structurally strong location.

3 Mount the camera unit to the ceiling

Pull the cables from the ceiling and camera towards the lens as illustrated in the diagram, align the (\uparrow) mark to the shooting direction and mount the camera to the ceiling. Align the (\uparrow) mark upwards when mounting the camera on the wall.



Note The screws for mounting the camera are not provided. Use a suitable type of screws according to the material of the mounting location.

■ Connecting the cable

For safety reasons, turn on the power only after all the connection is complete. The status indicator lights up when the camera is turned on.

1 Connect the coaxial cable (☞ page 10)

Lower the protection cover and connect the connectors.

Upon connecting, restore the protection cover to cover the connectors. This will isolate and protect the metallic parts of the connectors.

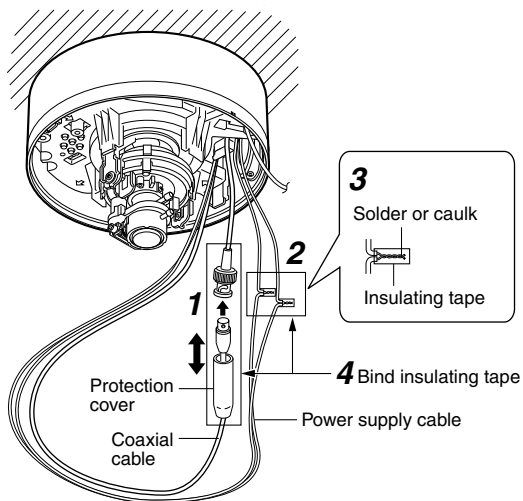
2 Connect the power supply cable (☞ page 11)

3 Wrap insulation tapes around the connecting parts of the power supply cables

Memo Wrapping insulation tapes will improve future work conditions, as well as reduce penetration by noise and other objects.

4 Wrap the insulation tape

5 Push the connector of the connected coaxial cable back to the ceiling.



Mounting the Camera (Continued)

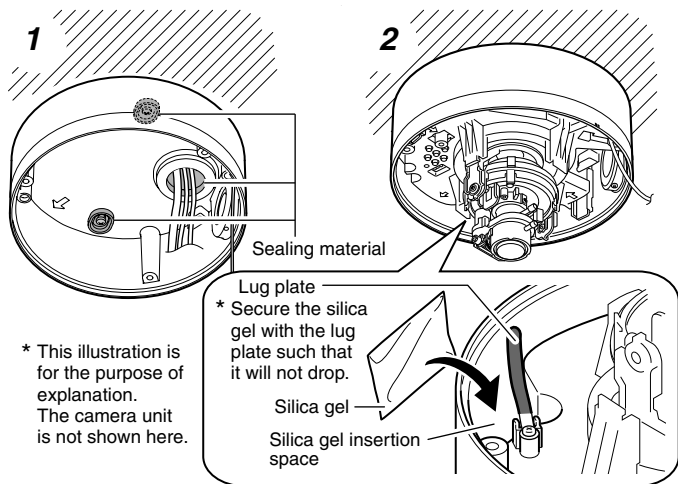
■ Process after connection

Fill the conduit hole and mounting holes with sealing agent and insert the silica gel.

1 Fill the conduit hole and the screw mounted holes (2 locations) with sealing agent (GE silicon)

Note Seal the holes completely. Failure to do so may cause water or moisture to enter, thereby fogging the lens and dome cover.

2 Remove the silica gel (provided) from its bag and insert in the position as shown in the diagram



* This illustration is for the purpose of explanation. The camera unit is not shown here.

- Note**
- When mounting the camera under raining conditions, make sure that rain does not enter into the camera.
 - Be sure to use the silica gel provided. Failure to do so may fog up the camera lens and dome cover.
 - If you are not adjusting the camera angle soon after mounting the camera, insert the silica gel (provided) only after adjustment. Prolonged exposure to air will make the silica gel (provided) less effective.

■ Adjusting images

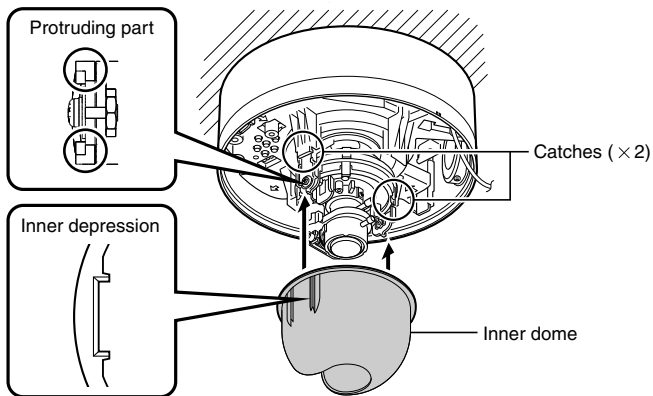
After mounting is completed, adjust the images while checking the actual image.
(☞ page 23)

■ Mounting the Dome Cover

Attach the dome cover back when all settings are finished.

1 Mount the inner dome

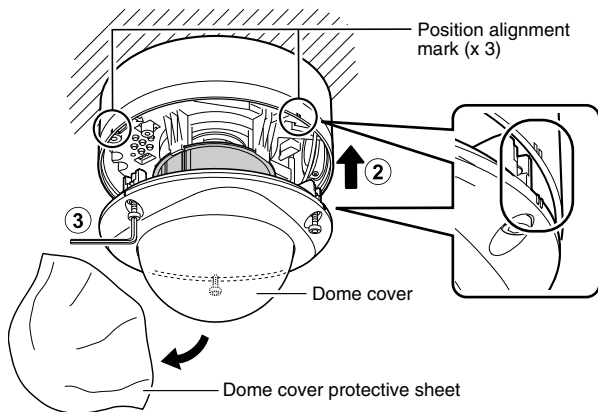
Mount the inner dome in a way that supports the tilt direction of the lens.
Insert the inner depression of the inner dome into the protruding parts beside the fastening screw. Push it in until it is fixed by the catches (2 locations).



Mounting the Camera (Continued)

2 Mount the dome cover

- ① Clean the dust and dirt on the dome cover.
- ② Align the position marks (3 locations) on the camera unit and dome cover, followed by pressing in directly to mount the cover.
- ③ Tighten the dome cover fastening screw.



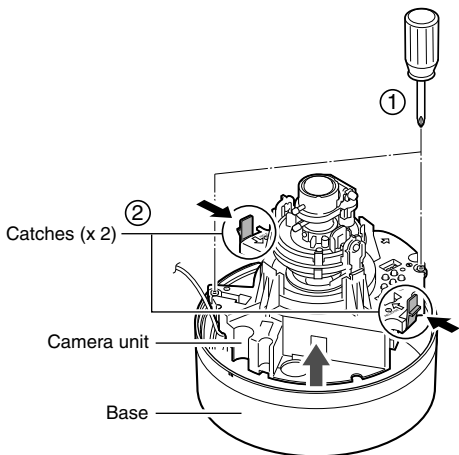
- Note**
- Ensure that the silica gel (provided) has been inserted before mounting the dome cover.
 - Be sure to secure the dome cover firmly. If it is not firmly secured, the cover can drop or the humidity inside the camera can increase and fog up the interior of the cover.
 - When the cover is removed again after mounting the dome cover, the field angle may be changed. If the field angle is changed, re-adjust the focus and the field angle.
 - Ensure that the fall prevention wire of the dome cover is not caught between the dome cover and the base. Failure to do so may prevent the dustproof and waterproof functions from working properly.

Mounting the Camera Using the Conduit Hole at the Bottom of the Base

Conduit hole: G3/4-14 UNC (TK-C2201WPU), M25 (TK-C2201WPE)

- 1 Remove the dome cover and inner dome (see page 13)
- 2 Remove the camera unit from the base and mount the fall prevention wire to the camera unit

- ① Loosen the camera unit fastening screw (2 locations) with a screwdriver.
- ② Press the catch (2 locations) inwards and remove the camera from the base.
- ③ Remove the fall prevention wire fastening screw on the base to mount the fall prevention wire. (The fall prevention wire is not provided.)



Mounting the Camera (Continued)

3 Wind the sealing tape

Wind the sealing tape around the pipe junction (where the conduit hole thread lines with the pipe screw hole) two or more times.

4 Mount the base to the pipe

Turn and screw the base unit to the pipe in the clockwise direction.

Note When screwing the pipe, do not screw beyond 12 mm. Doing so can damage the camera interior.

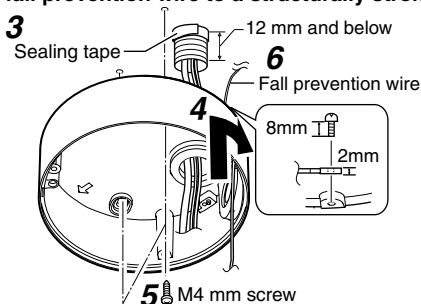
5 Secure the base unit to the ceiling

Use the M4 screw (x2) to secure the base firmly to the ceiling.

Note

- Make sure there is no gap between the ceiling and the base.
- The M4 screws are not provided. Use a suitable type of screws according to the material of the mounting location.

6 Mount the fall prevention wire to a structurally strong location



7 Connect the cables (see page 15)

Push the connector of the connected coaxial cable back to the pipe.

8 Mount the camera unit to the base

① Push in until the catch (2 locations) snaps on.

Note Make sure that the cables and the fall prevention cable are not caught between the camera and the base during mounting.

② Fasten the camera unit fastening screw (2 locations) to secure the camera.

9 The procedures for the following are the same as that for normal camera mounting

- Process after connection (see page 16)
- Adjusting images (see page 23)
- Mounting the dome cover (see page 17)

Mounting the Camera Using the Conduit Hole at the Side of the Base

If the camera cannot be mounted directly to the ceiling, use the conduit hole at the side of the base to mount the camera to the pipe.

Conduit hole: G3/4-14 UNC (TK-C2201WPU), M25 (TK-C2201WPE)

- 1 Remove the dome cover and inner dome (☞ page 13)**
- 2 Remove the camera unit from the base and mount the fall prevention wire to the camera unit**

Refer to "Mounting the Camera Using the Conduit Hole at the Bottom of the Base" (☞ page 19) step 2.

3 Wind the sealing tape

Wind the sealing tape around the pipe junction (where the conduit hole thread lines with the pipe screw hole) two or more times.

4 Remove the conduit plug from the base

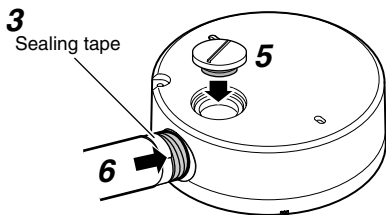
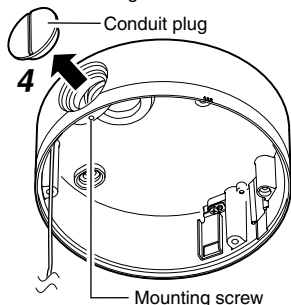
Loosen the mounting screw (M3 x 6 mm) using a flathead screwdriver and remove the conduit plug at the side of the base.

5 Mount the conduit plug that was removed to the conduit hole at the bottom of the base

6 Mount the base to the pipe

Screw the pipe to the conduit hole at the side of the base.

Note When screwing the pipe, do not screw beyond 12 mm. Doing so can damage the camera interior.



- 7 Refer to "Mounting the Camera Using the Conduit Hole at the Bottom of the Base" (☞ page 19) step 6 to 9**

Mounting the Camera (Continued)

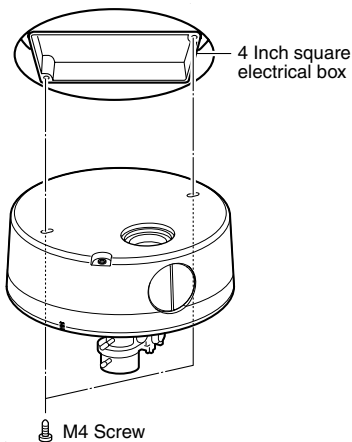
Mounting the Camera using the Electrical Box

1 Remove the dome cover and inner dome (☞ page 13)

2 Mount the camera unit to the electrical box

Mount the camera unit to the electrical box using the mounting hole (2 locations) with the M4 screw (2 pieces).

Memo The screws are not provided.



3 The procedures for the following are the same as that for normal camera mounting.

- Connecting the cable (☞ page 15)
- Process after connection (☞ page 16)
- Adjusting images (☞ page 23)
- Mounting the dome cover (☞ page 17)

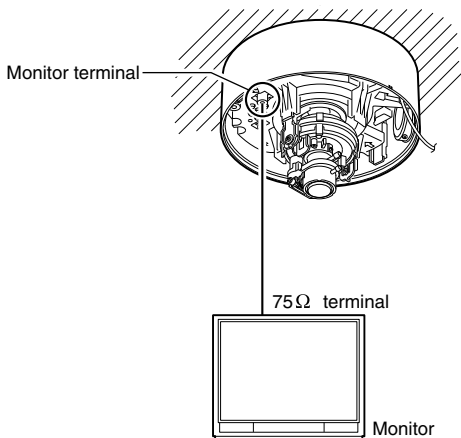
Adjusting Image

After mounting the camera, adjust the images while looking at the actual image. Discharge the static electricity from your body by touching the metallic part of the monitor terminal before handling the camera as static electricity may cause the camera to malfunction.

1 Mount the monitor

Connect the monitor terminal of this camera to a monitor to adjust the camera's shooting direction, image and focus.

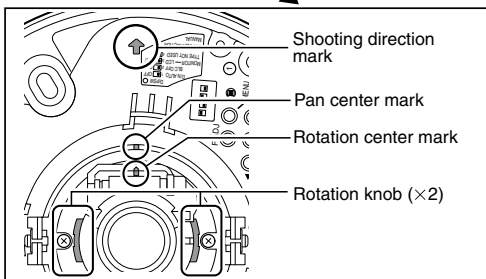
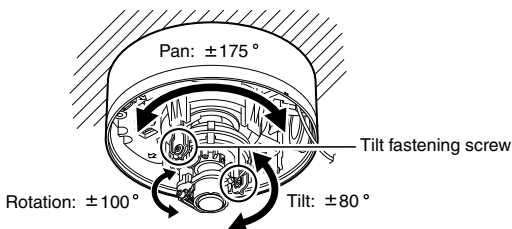
2 Turn on the camera



Adjusting Image (Continued)

3 Adjust the shooting direction of the camera

Adjust the camera for pan, tilt and rotation, and face the camera towards the subject.



Memo

- Rotate both pan $\pm 175^\circ$ and rotation $\pm 100^\circ$ from the positions aligned with the camera's shooting direction mark, pan center mark and rotation center mark. Be sure to hold the rotation knob and adjust the rotation without holding the lens unit.
- Loosen the tilt fastening screw before performing tilt adjustment.
- After adjusting the field angle, tighten and secure the tilt fastening screw so that the field angle will not be misaligned.

Note

- Moving the camera beyond its adjustable range may deteriorate the performance of this camera.
- As this camera has a wide tilt/rotation range, a part of this camera may appear on the screen depending on the field angle and direction.
- Do not hold the lens unit when adjusting the camera direction. Applying force on the lens unit may damage it.

4 Adjust the image size

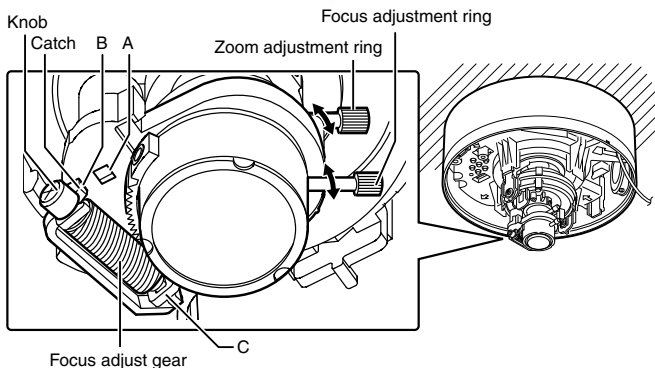
Loosen the fastening screw for the zoom adjustment ring and move the ring to the left/right to adjust the image size. After adjustment is complete, fasten the screw.

5 Adjust the focus

- ① Hold the focus adjust gear knob, shift the catch from point A to point B as illustrated in the diagram to disengage the gear.

Note To prevent the gear shaft from breaking when the gear is opened too far out from B, remove the gear shaft from the bearing (C in diagram). In this case, re-insert the shaft back into the bearing C and return it to the original position before using.

- ② Loosen the fastening screw for the focus adjustment ring and move the ring to the left/right to adjust the focus.



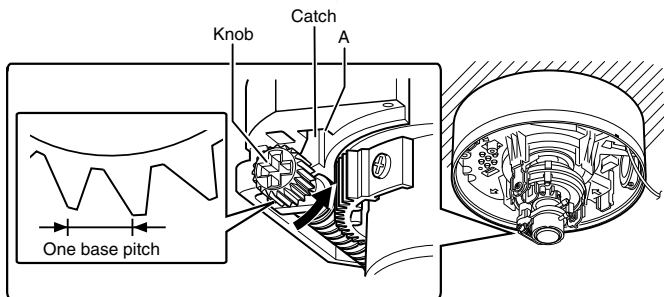
Adjusting Image (Continued)

6 Fine adjust the focus

- ① Press and hold the [▲] button.
 - Focus adjust mode will be activated and "FOCUS ADJUST MODE" is displayed on the monitor screen.
 - The contours are emphasized as the iris opens and the depth of field becomes shallow.
 - After adjustment, press [▼, ◀, ▶]/[SET]/[MENU] to exit focus adjust mode. The mode is also automatically deactivated after about 30 seconds.

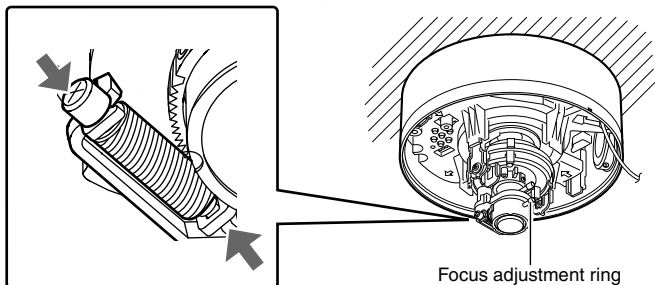
Memo ● During the focus adjust mode, the electronic shutter will function automatically. As a result the screen will appear grainy. This is not a malfunction.

- ② Shoot the subject.
- ③ Return the catch to A in the diagram, and then rotate the knob to adjust the focus to the optimum position.
- ④ Rotate the focus adjust gear knob one base pitch in the direction of the arrow in the diagram to correct the focus shift when mounting the dome cover.
- ⑤ Peel off the protection sheet temporarily and cover the dome cover to check the focus. After checking, paste the protection sheet back on the dome cover.



7 Tighten the fastening screw of the focus adjustment ring

Hold and press the focus adjust gear between your fingers in the direction of the arrows in the diagram, and tighten the fastening screw of the focus adjustment ring.



Adjustment

Adjusting the Auto White Balance

Each light source has its own color temperature. Therefore, when the main light source lighting the subject is changed, adjust the white balance again.

1 Press the [MENU] button.

2 Select [WHITE BALANCE] with the [▲/▼] button and "AWC" with the [◀/▶] button, then press the [SET] button.

3 Zoom in to fill the screen with white.

Place a white object at the center of the screen, under the same lighting condition as the subject to be shot and zoom in to fill the screen with white.

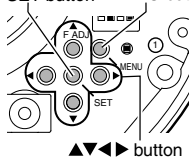
4 Press the [SET] button.

Auto white balance adjustment begins. During operation, "AWC OPERATION" is displayed on the screen.

5 Adjustment is complete.

When the appropriate white balance is acquired, "AWC OK" is displayed.

SET button MENU button



WHITE BALANCE CONTROL	
▷ AWC SET	
R GAIN	160
B GAIN	160
AWC OPERATION	

AWC OPERATION
(during operation)

WHITE BALANCE CONTROL	
▷ AWC SET	
R GAIN	160
B GAIN	160
AWC OK	

AWC OK
(adjustment completed)

■ Error display

If auto white balance adjustment is not successful, the following messages will appear on the monitor.

AWC ERROR : NG (Subject error)

Displayed when there is not enough white color on the subject or the color temperature is not suitable.

Fill the screen with a white object thoroughly and adjust the white balance again.

AWC ERROR : LOW LIGHT (Insufficient Illumination)

Displayed when the light is low. Increase the illumination, then readjust the white balance.

AWC ERROR : HIGH LIGHT (Excessive Illumination)

Displayed when the light is too bright. Decrease the illumination, then readjust the white balance.

AWC ERROR : TIME OVER (Subject movement)

Displayed when the subject moves. Keep the subject still, then readjust the white balance.

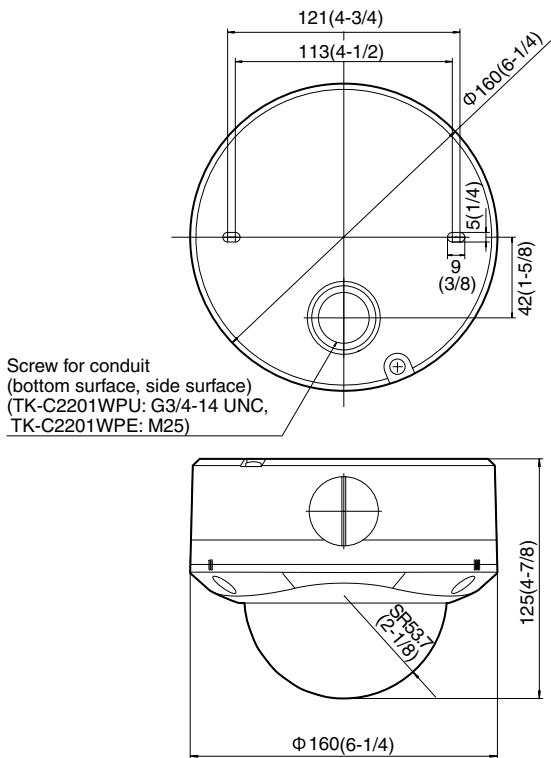
Specifications

Horizontal resolution	: 600TV lines
Video S/N ratio	: 52 dB (typical, AGC OFF)
Minimum illumination	: Color mode: 0.05 lx (typical, 50 %, F1.2, AGC HIGH) Black and White mode: 0.03 lx (TK-C2201WPU) (typical, 50 %, F1.2, AGC HIGH) 0.006 lx (TK-C2201WPE) (typical, 50 %, F1.2, AGC HIGH)
Zoom ratio	: 3.75
Focal length	: 2.8 mm to 10.5 mm
Maximum aperture ratio	: F 1.2 (f = 2.8 mm) F 2.7 (f = 10.5 mm)
Minimum aperture	: Equivalent to F 360
Angle of view	: f = 2.8 mm 99.5 ° (H) × 73.2 ° (V) f = 10.5 mm 27.4 ° (H) × 20.6 ° (V)
Angle adjustment range	: Pan: ± 175 ° Tilt: ± 80 ° Rotation: ± 100 °
Power supply	: AC 24 V 60 Hz, DC 12 V UL Listed Class 2 power supply only (TK-C2201WPU) AC 24 V 50 Hz/60 Hz, DC 12 V (TK-C2201WPE)
Power/current consumption	: 2.3 W (TK-C2201WPU) 220 mA (TK-C2201WPE) when using heater (KA-ZH215U): 20 W (TK-C2201WPU) 1 A (TK-C2201WPE)
Mass	: approx. 1.3 kg
Ambient temperature	: -10 °C to 50 °C (14 °F to 122 °F) (Operation) 0 °C to 40 °C (32 °F to 104 °F) (Recommended) when using heater (KA-ZH215U): -30 °C to 50 °C (-22 °F to 122 °F) (Operation) -20 °C to 40 °C (-4 °F to 104 °F) (Recommended)

Specifications (Continued)

Accessories	: (TK-C2201WPU)
	WARRANTY CARD × 1
	INSTRUCTIONS × 3
	Silica gel × 1
	Wrench × 1
	Template × 1
	(TK-C2201WPE)
	INSTRUCTIONS × 5
	Silica gel × 1
	Wrench × 1
	Template × 1

■ External dimensions [Unit: mm (inch)]



* Specifications and appearance of this camera are subject to change for improvements without notice.

TK-C2201W/PU/
TK-C2201W/PE
OUTDOOR DOME CAMERA

JVC