

JVC®

The Perfect Experience / —
/

1/3" CCD COLOR VIDEO CAMERA

TK-C1530U

(24VAC / 12VDC)

High performance day and night camera under very low light applications

0.05 lx * **Super LoLux™**
(in B&W mode)

0.4 lx * **Super LoLux™**
(in Color mode)



540TV Lines

True Day / Night

* This is a simulated image

- 1/3" IT CCD with 380,000 effective pixels
- 540TV lines of horizontal resolution
- Day and Night function (IR cut filter switching)
- Super LoLux sensitivity
 - 0.4 lx (F1.2, AGC ON, 25%, color mode)
 - 0.05 lx (F1.2, AGC ON, 25%, B&W mode)
- Signal – to – Noise Ratio : 50 dB (AGC OFF)
- Revolutionary integrated 10-bit Digital Signal Processor (DSP)
- Full featured security camera
 - Built-in camera menu
 - Various white balance modes (2 ATW/AWC/Manual)
 - Display mode : selectable CRT or LCD

- Smart Edge Control mode (S.E.C.)
- Automatic gain control (AGC) : OFF / ON (HIGH/SUPER)
- Back light compensation (BLC) off / on (4 patterns)
- Sync systems : INT/Line lock
- Scene file function
- Private mask function
- RS-422A/RS-485 interface
- Focus adjustment function
- Support DC / Video iris lens
- C/CS mount lens compatible
- Built-in AUX terminal
- Automatic power detection 24 VAC (60Hz) / 12 VDC

The TK-C1530U is true day/night cameras with 540 TV lines resolution. Allowing for 24-hour monitoring across a broad range of indoor and outdoor applications.

Security/Surveillance are strongly increasing every year and especially under 24-hours outdoor application, there is a strong requirement to have both high sensitivity and picture images at low lighting conditions. The new TK-C1530U have been designed to fully assist this kind of market request as stand-alone or remote devices featuring true day/night, 540TVL resolution and new features such as Smart Edge control, display mode, scene file, private mask, etc.

Super LoLux sensitivity

TK-C1530U feature a 1/3" interline transfer CCD. Advanced technology and digital signal processing deliver totally pure color reproduction and an excellent signal-to-noise ratio of 50 dB, using IR cut filter switching function, a low light level of 0.05 lux is achievable in B/W mode.

Smart Edge Control (S.E.C.mode)

JVC cameras provide a high-quality image output at 540TV lines horizontal resolution but the market demands even higher image quality. To meet such demands, the Smart Edge Control (S.E.C) is incorporated to provide superior image resolution and clarity.

*Noise may be apparent with some scenes.

Display mode

While only CRT monitors were once used for CCTV applications. Due to the recent trend toward flat panel displays, LCD monitors are now commonly used for CCTV. Therefore, JVC has incorporated CRT and LCD monitor modes into the cameras to match the camera output to the monitor used.

Automatic white balance

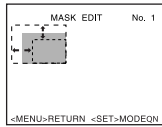
Under 24 hours outdoor application the camera will encounter different lighting situations. In order to provide the best color reproduction TK-C1530U has 2 automatic white balance modes.

Focus adjustment function

When the focus adjustment function is turned "on", the lens iris is focused fully open for about 30 seconds before returning to its original position. This results in a shallow depth of field (high speed shutter) and makes it much easier to adjust focus.

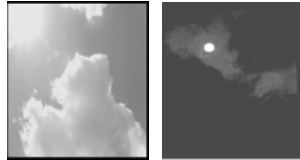
Private mask

Using the private mask function, operators can mask selected areas for the purpose of surveillance near privacy areas. Up to 4 mask can be set up under the angle of view.

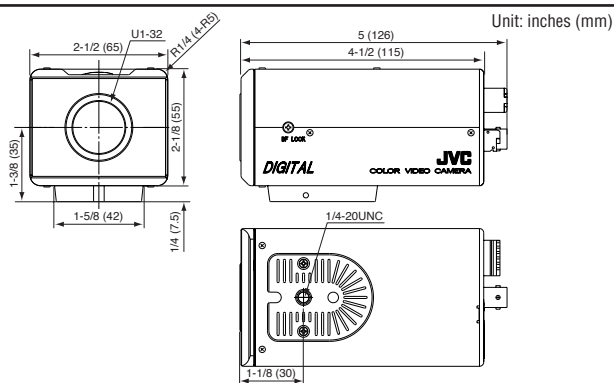


Scene file function

Up to 4 video settings can be preset on the menu. Using an external trigger via AUX or remote interface, the presets can be recalled to correct and enhance the video out signal (Scene File).



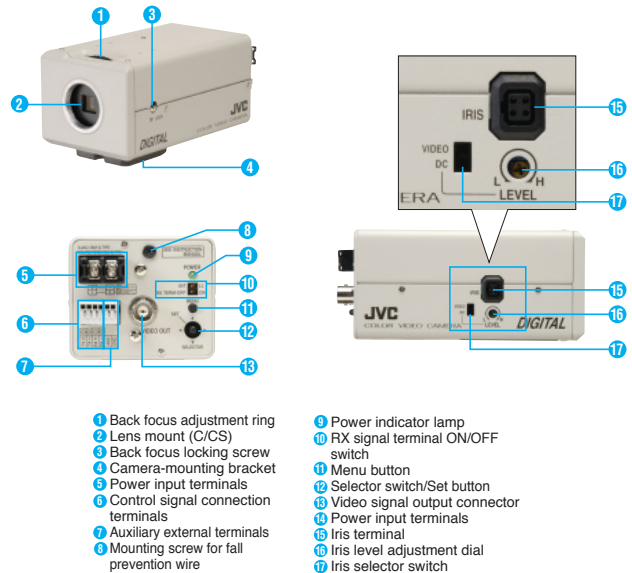
Dimensions



Specifications

Item	TK-C1530U
Pick-up Device	1/3" IT CCD
Effective Pixels	380,000 (768 H x 494 V)
Scanning System	2:1 interlace
Synchronization	Internal, Line-locked
Line-locked Phase	Adjustable
Video Output	1.0 V (p-p) , 75Ω . BNC
Horizontal Resolution	540 TV lines
Signal-to-noise Ratio	50dB (TYP) at AGC OFF
Minimum Illumination	
Color mode	0.4 lx (25 % , F1.2, AGC SUPER)
B&W mode	0.05 lx (25 % , F1.2, AGC SUPER)
Control signal	RS-422A or RS-485, 9600 bps
AUX Input/Output	Input: B/W mode selection input Output: B&W / Color output B/W : make, Color : Break
Camera Menu	Built-in
Scene File memory	OFF/ON (up to 4 files)
Private Mask	OFF/ON Edit mode: up to 4 mask able to set up
Focus adjustment switch	By menu
Gain Control	OFF/ON (HIGH/SUPER)
White Balance	ATW (wide / narrow) / AWB/Manual
Display mode	CRT or LCD selectable
Electronic Shutter	Normal (1/60) or AES (1/60 - 1/10000 sec)
Iris Level	Adjustable
BLC	ON/OFF
Auto Iris Lens Control	DC / Video iris
Lens Mount	C or CS
Power Source	24VAC 60Hz / 12VDC
Power Consumption	5.0W
Ambient Temperature	14°F to 122°F (-10°C to 50 C°)
Dimensions	2-1/2"(W) x 2-1/8"(H) x 5"(D) mm (Approx.)
Weight	Approx. 0.88 lbs (480 g)

Controls, connectors and indicators



Design and specifications subject to change without notice.



DISTRIBUTED BY



■ The Hachioji Plant of Victor Company of Japan, Ltd., has received ISO14001 and ISO9001 Certifications under the global standard for environmental management.